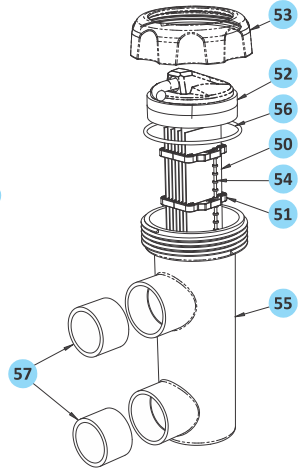
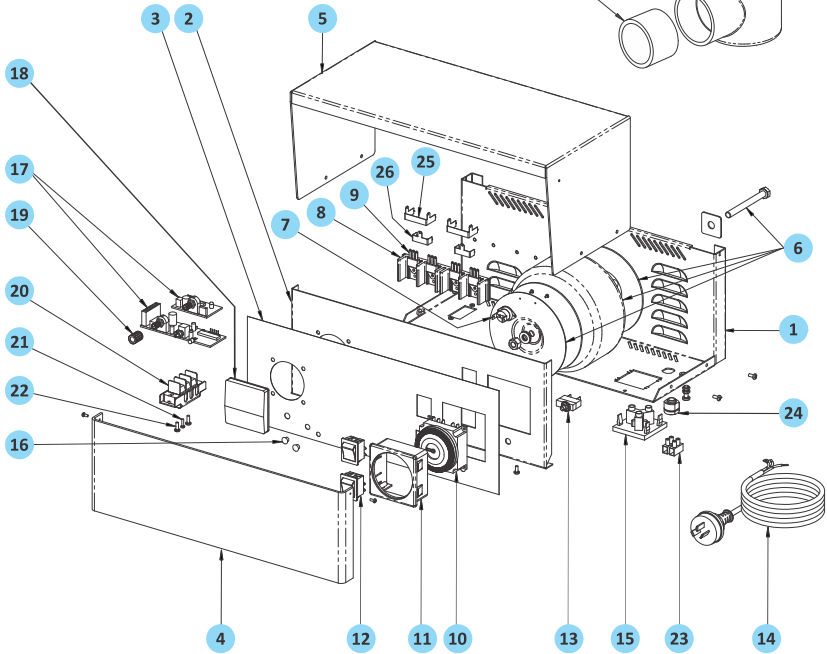




ELECTRODE CELL PARTS



RP, EC & RP-E CRYSTALCHLOR MODEL



SCHEMATICS AND PART NUMBERS

RP, EC & RP-E CRYSTALCHLOR MODEL

POWER SUPPLY SCREWS AND COMPONENTS (SHOWN IN SCHEMATIC)

PARTS LIST

ITEM No.	CODE	DESCRIPTION
1	N00037	ALUMINIUM CHASIS
2	N00039	FRONT COVER WHITE
3	N00060	FRONT STICKER – CRYSTAL CLEAR
4	N00033	ACRYLIC FRONT
5	N00038	CASE LID
6	N00022-1	TRANSFORMER 212VA FOR 20-25G/HR MODEL (INCL. RUBBER SPACERS, METAL PLATE, BOLT, LOCK WASHER, NUT)
6	N00023-1	TRANSFORMER 300VA FOR 30-35G/HR MODEL (INCL. RUBBER SPACERS, METAL PLATE, BOLT, LOCK WASHER, NUT)
6	N00024-1	TRANSFORMER 440VA FOR 40-55G/HR MODEL (INCL. RUBBER SPACERS, METAL PLATE, BOLT, LOCK WASHER, NUT)
7	N00027	THERMOSTAT 100DEGC
8	N00040	HEAT SINK – 30MM 20-35G/HR MODELS
8	N00041	HEAT SINK – 40-55G/HR MODELS
9	N00025	SCR 65AMP FLAT BACK
10	N00414	TIMER – QUARTZ BOSCHE MECHANICAL BATTERY BACK UP (SUITS GRASSLIN)
11	N00029	TIMER – BRACKET HOUSING SURROUND
12	N00026	ROCKER SWITCH – ILLUMINATED ON/OFF
13	N00018	CIRCUIT BREAKER 3AMP 20-35G/HR MODELS
13	N00019	CIRCUIT BREAKER 5AMP 40-55G/HR MODELS
14	N00011	POWER CORD – AU
15	N00001	AC SOCKET SQUARE – PUMP OUTLET
16	N00072	EC PLASTIC RIVET WHITE
17	N00172	EC PCB STANDARD WITH 4&6 PIN CONNECTOR
17	N00030	RP PCB REVERSE POLARITY
18	N00003	EC METER STANDARD
18	N00002	RP METER REVERSE POLARITY
19	N00035	KNOB FOR POTENTIOMETER
20	N00020	JUNCTION BOX COMPLETE WITH COVER
21	N00160	JUNCTION BOX SCREW – CENTRE SMALL
22	N00159	JUNCTION BOX SCREW – OUTER LARGE
23	N00021	TERMINAL BLOCK 2 PIN
24	N00034	CABLE GROMMET 6N – 4
25	N00042	SCR BRIDGE LONG
26	N00043	SCR BRIDGE SHORT
27	EC2000PP	EC POWER PACK COMPLETE EC2000
27	EC3000PP	EC POWER PACK COMPLETE EC3000
27	EC4000PP	EC POWER PACK COMPLETE EC4000
27	RP2000PP	RP POWER PACK COMPLETE RP2000
27	RP25E	RP ECO POWER PACK COMPLETE RP25E
27	RP3000PP	RP POWER PACK COMPLETE RP3000
27	RP35E	RP ECO POWER PACK COMPLETE RP35E
27	RP4000PP	RP POWER PACK COMPLETE RP4000
27	RP5000PP	RP POWER PACK COMPLETE RP5000

POWER SUPPLY SCREWS AND COMPONENTS (NOT SHOWN IN SCHEMATIC)

PARTS LIST

CODE	DESCRIPTION
N00050	EARTH SCREW S/S
N00051	EARTH NUT S/S
N00049	WASHER FOR EARTH S/S
N00047	WASHER FOR TRANSFORMER BOLT
N00402	ACRYLIC FRONT SCREW IN ZIP LOCK BAG
N00046	BLIND RIVET 3.2X6.4
N00045	BLIND RIVET 3.2X10
N00036	CABLE TIE 3MM
N00560	GREEN WALL PLUGS
N00217	SCREWS WALL SS 5X25
N00082	EC/RP OPERATING MANUAL
N00068	PACKAGE FOAM
N00048	WASHER FOR PCB POTENTIOMETER
N00185	SLEEVE – CRYSTAL CLEAR EC/RP
N00401	PVC HEAT SHRINK PIECE 630MM W
N00053	SCREW STAINLESS (HEAT SINK & GREY LID CONNECTION)
N00054	SCREW STAINLESS (JUNCTION BOX CLAMPING)
N00052	SCREW STAINLESS (SCR CONNECTION)
N00055	SCREW STAINLESS (TERMINAL BLOCK CONNECTION)
N00057	SCREW STAINLESS (TIMER BRACKET)
N00079	CARTON BOX WHITE 440X360X215
N00067	CARTON BOX POWER PACK BROWN 427X212X192
N00078	CARTON CELL DIVIDERS 350X140X205MM

ELECTRODE CELL PARTS (SHOWN IN SCHEMATIC)

PARTS LIST

ITEM No.	CODE	DESCRIPTION
50	CC20RP	RP 20G/HR RP CELL REPLACEMENT – 5 PLATES
50	CC20EC	EC 20G/HR STD CELL REPLACEMENT – 5 PLATES
50	CC25RPE	RP 25G/HR RP ECO CELL REPLACEMENT – 7 PL
50	CC30RP	RP 30G/HR RP CELL REPLACEMENT – 7 PLATES
50	CC30EC	EC 30G/HR STD CELL REPLACEMENT – 7 PLATES
50	CC35RPE	RP 35G/HR RP ECO CELL REPLACEMENT - 15 PL
50	CC40RP	RP 40G/HR RP CELL REPLACEMENT – 9 PLATES 200MM, REVERSE POLARITY
50	CC40EC	EC 40G/HR STD CELL REPLACEMENT – 9 PLATES 200MM, SOLID PLATE CATHODE / ANODE
50	CC50RP – SEMIC	50G/HR COMMERCIAL RP CELL REPLACEMENT – 13 PLATES 200MM, REVERSE
51	N00435	CELL CLIP 9 PLATE BLACK CRYSTAL (OTHER COLOURS AVAILABLE)
52	-	CELL CAP & CAP COVER - NOT AVAILABLE AS A SPARE PART (RESIN FILLED)
53	N00492	CELL LOCKING RING – CRYSTAL CLEAR BLACK SCREW CAP
54	N00260	CELL SPACER RODS BLACK (OTHER COLOURS AVAILABLE)
55	N00465	CRYSTAL CLEAR CELL HOUSING – SMOKEY
56	N00460-1	O'RING – CRYSTAL CLEAR CELL NEW EPDM RUBBER
57	N00670-1	PVC – REDUCING BUSH 50X40MM