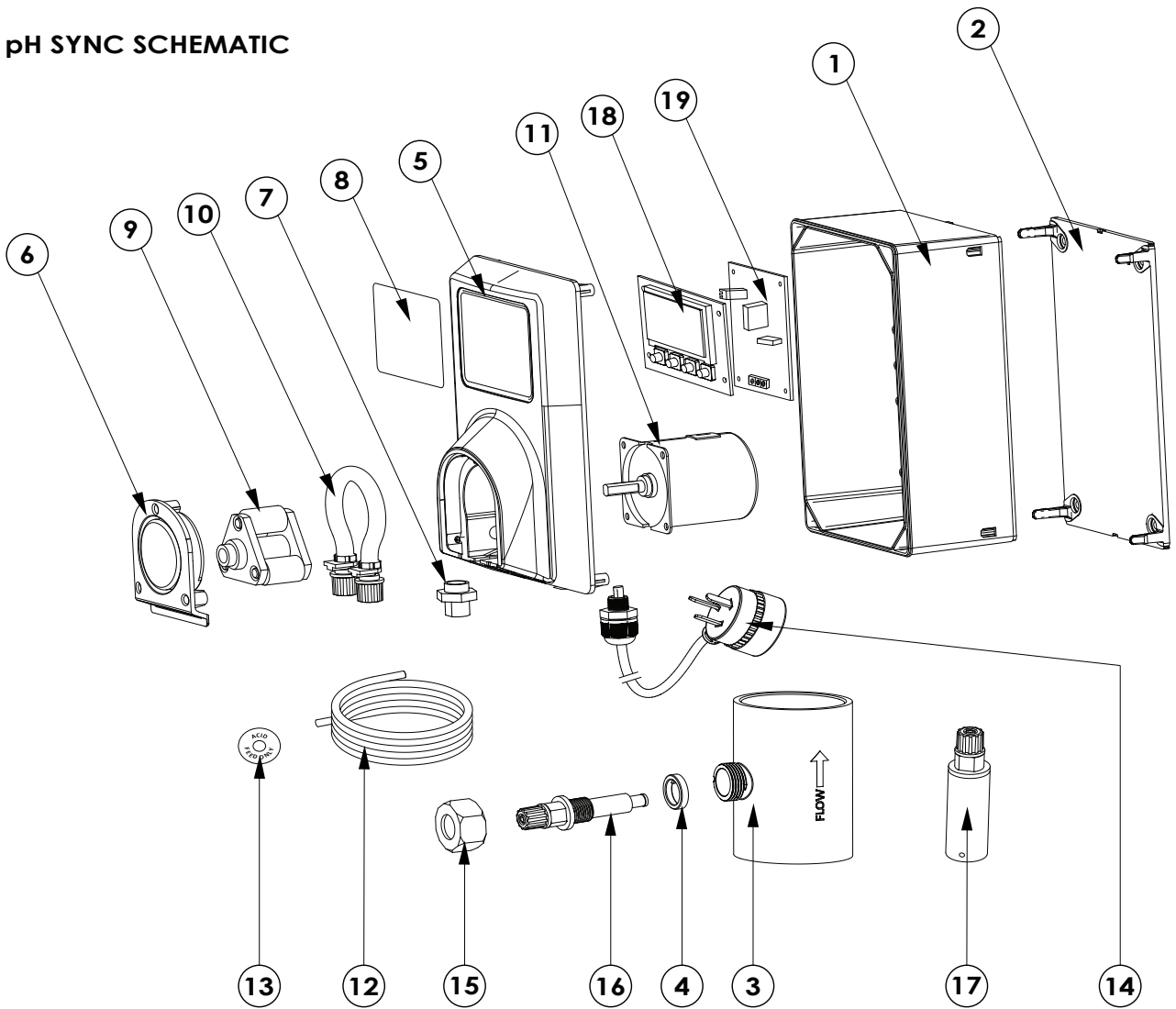


CAS pH SYNC SCHEMATIC



PART NO	CODE	QTY	DESCRIPTION
1	N00302-pH-S	1	pH Base Body
2	N00306	1	pH Wall Bracket
3	N01185	1	pH Faucet Tee 50mmx3/4" CLEAR
4	N01186	1	O'Ring - Seal to suit pH Injector Valve
5	N01339	1	Case Front Cover - pH-SYNC BLACK
6	N01340	1	Acrylic Cover - pH Controller CLEAR
7	N01078	1	pH SYNC Programming Cable
8	N01450-SYNC	1	Front Sticker - CAS pH SYNC
9	N01353	1	pH Tri Roller Block (assembled)
10	N01355	1	pH Squeeze Tube Kit c/w Adaptors, Clamps & Lube
11	N01357	1	pH Motor - 240Vac 13W 10rpm
12	N01360	1	pH PVC Flexible Tubing, CLEAR, 6.0mmOD (per m)
13	N01361	1	pH Drum Label
14	N01364	1	Power Cord - pH c/w Piggy Back Socket
15	N01365	1	Lock Nut - pH Injector BLACK
16	N01367	1	pH Non-Return Injector Valve c/w Sleeve & Tube Nut
17	N01368	1	pH Drum Weight Kit - includes Weight, Suction Valve and Tube Nut
18	N01446	1	PCB - pH SYNC Control PCB
19	N01447	1	PCB - pH SYNC Main Power PCB