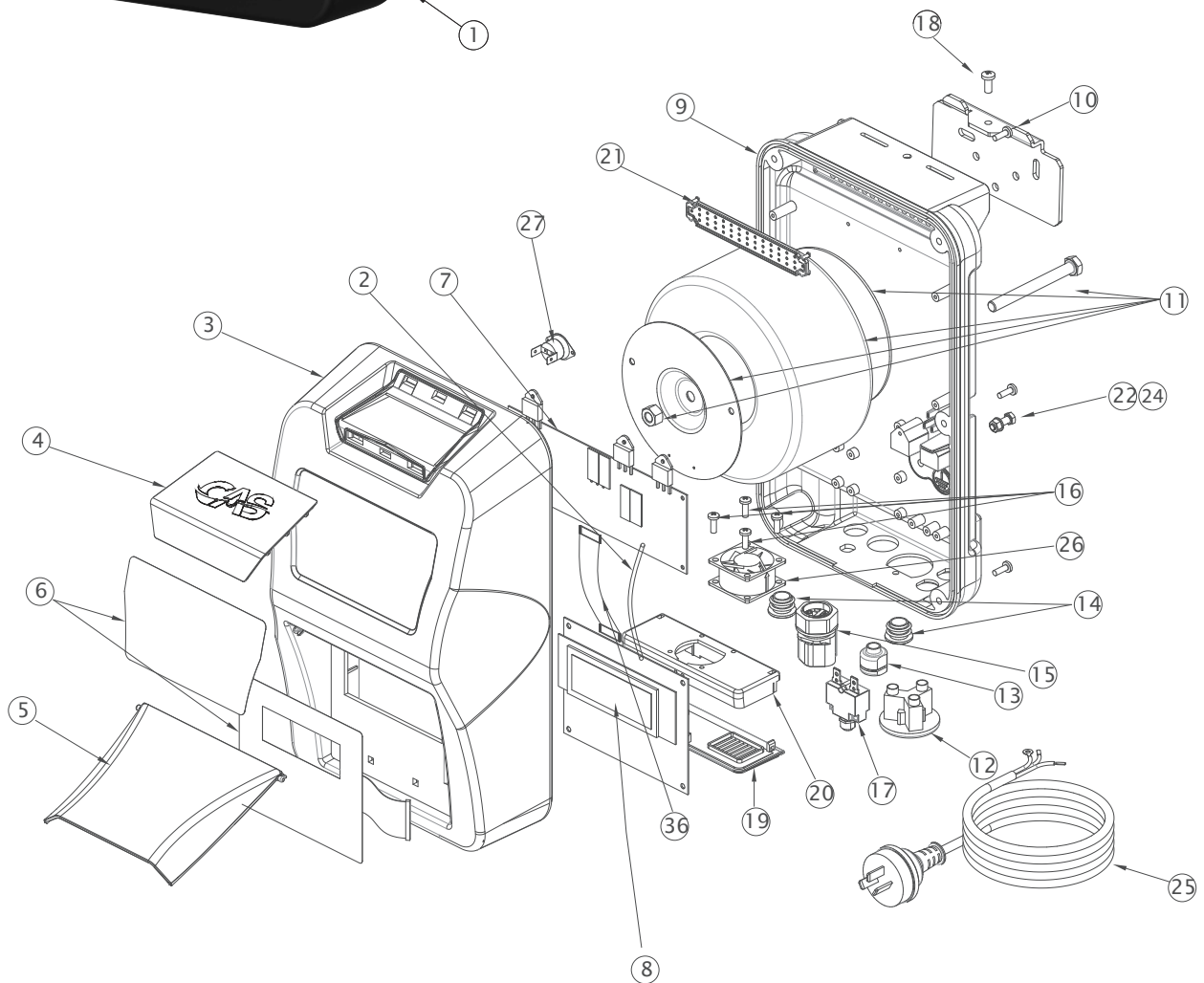


11. SCHEMATICS AND PART NUMBERS



VAPURE VP-Series SALT CHLORINATOR



11. SCHEMATICS AND PART NUMBERS



VAPURE VP-Series SALT CHLORINATOR (PARTS LIST)

POWER PACK

	CODE	Vapure Description
1	SL-15PP	CAS Vapure VP15 Power Pack
1	SL-25_35_45PP	CAS Vapure VP25,VP35 & VP45 Power Pack
1	SL-55PP	CAS Vapure VP55 Power Pack
2	N00895	Wire Loom SL-12 - Multi PCB TB-GND Pin 1 to LCD PCB RB-GND Pin 1 BLACK
3	N00364	CAS Vapure VP Front Cover BLACK
4	n00366	Top Vent Cover - Plastic with CAS logo BLACK
5	N00367-1	CAS Vapure VP Front Flap GREY
6	n00871	CAS Vapure VP Decal Sticker (set of 2)
7	N00693	Multi Triac Shunt PCB
8	N00496	CAS Vapure VP LCD Display PCB
9	N00356	Aluminium Die Casting with BLACK Outer Coating
10	N00453-2	CAS Vapure VP Mounting Bracket
11	N00024-1	Transformer 440VA for 55g/hr Model
11	N00023-1	Transformer 300VA for 25, 35 & 45g/hr Model
11	N00022	Transformer 220VA for 15g/hr Model
12	N00498	AC Socket Round - Pump Outlet Flush Mount BLACK (Side Wire Entry)
13	N00869	Grommet 6N-4 Cable Strain Relief Bush
14	N00501	Grommet Rubber AUX Hole up to 19mm
15	N00488	CAS Vapure VP Plug SL-10 Male End Complete with Power Supply Looms
16	N00054	Screw M3x12 Stainless Steel 304 (Fan)
17	N00018-2	Circuit Breaker 3amp (up to 45g/hr models) with 6.3mm push on
17	N00019-2	Circuit Breaker 5amp (for model 55g/hr and greater) with 6.3mm push on
18	N00053-1	Screw M4x10 Stainless Steel 304 (Slimline Front Case & Bracket)
19	N00368	CAS Vapure VP Bottom Vent Cover BLACK
20	N00369	CAS Vapure VP Fan Support Plate BLACK
21	N00370	CAS Vapure VP Snap Fit Gauze BLACK
22	N00478	Screw Pan Head M5x10 Stainless Steel 304
24	N00049	Internal Tooth Washer for Earth M5 S/S
25	N00011	Power Cord-Au
26	N00323	Cooling Fan 40x40x10mm (only VP55 model)
27	N00027-1	Thermostat 100degC

PARTS AND COMPONENTS (Not shown in schematic)

	CODE	VAPURE Description
30	N00047	Washer 37x37x2.5 Zink Plated
31	N00207	Wire Loom SL-01 - Circuit Breaker LOAD to Transformer Active BROWN
32	N00223	Wire Loom SL-02 - AC Socket N to PCB N BLUE
33	N00224	Wire Loom SL-03 - AC Socket L to PCB PUMP-L BROWN
34	N00348	Wire Loom SL-04 - Circuit Breaker LINE to PCB A BROWN
36	N00485	Wire Loom SL-11 - Ribbon Cable with RED line and Header Sockets
37	N00008	Wire Loom CC-05 - Earth Wire
38	N00036	Cable Tie 3mm
39	N00560	Green Wall Plugs
40	N00217	Screw Self Tapping M5x25 Stainless (Wall)
41	N00053-1	Screw M4x10 Stainless Steel 304 (Slimline Front Case & Bracket)
42	N00052	Screw M3x6 Stainless Steel (Triac Connection and PCB)
43	N00067	CAS Vapure VP Power Supply Carton Box
44	N00878	Sleeve - CAS Vapure VP Chlorinator
45	N00874	CAS Vapure VP Operating Manual
46	N00079	CAS Vapure VP Chlorinator Outer Carton

11. SCHEMATICS AND PART NUMBERS



VAPURE VP-Series SALT CHLORINATOR (PARTS LIST)

ELECTRODE CELL PARTS

	CODE	VAPURE Description
	61	SL-CELL15RP CAS Vapure VP 15g/hr Cell ONLY
	61	SL-CELL25RP CAS Vapure VP 25g/hr Cell ONLY
	61	SL-CELL35RPB CAS Vapure VP 35g/hr Cell ONLY
	61	SL-CELL45RPB CAS Vapure VP 45g/hr Cell ONLY
	61	SL-CELL55RPB-C CAS Vapure VP 55g/hr Commercial Grade Cell ONLY
	62	N00379 Cell Housing 3 Way VP45 & 55 Models - Smokey
	63	N00460-1S O'Ring - CAS Vapure VP 3 Way Cell Housing EPDM rubber
	64	N00380 CAS Vapure VP 3 Way Cell Cap Locking Ring
	65	N/A FOR ILLUSTRATION ONLY - CAS Vapure VP Cell Cap resin filled
	66	N00322 Cell Clip 9 Plate BLUE
	66	N00530 Cell Clip 11 Plate BLUE
	67	N00322 Cell Clip Spacer Rod BLUE
	68	N00691-1 PVC - Blanking Bush BLACK to suit 50mm outlet on 3 Way cell housing
	69	N00461-1 O'Ring - CAS Vapure VP 3 Way Cell Housing Adaptor Tail EPDM BLACK
	70	N00382 CAS Vapure VP 3 Way Cell Adaptor Tail BLACK
	71	N00381 CAS Vapure VP 3 Way Cell Nut Small BLACK
	72	N00670-1 PVC Reducing Bush 50x40mm

